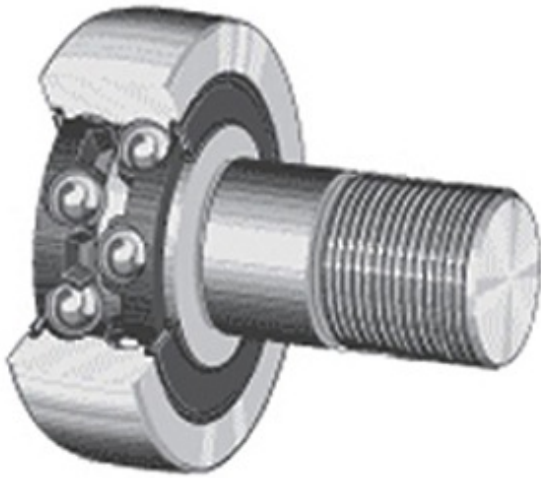




# NTN Bearing Driveshaft do Brasil

## MCGILL PCF 1 1/2 Cam Follower and Track Roller - Stud Type



PCF 1 1/2 Bearing 2D drawings and 3D CAD models

Bearing No. PCF 1 1/2

Category	Cam Follower and Track Roller - Stud Type
Inventory	0.0
Manufacturer Name	REGAL BELOIT
Minimum Buy Quantity	N/A
Weight	0.232
EAN	0726166035983
Product Group	B04120
Roller Surface Profile	Flat
Profile	Stud Type
Thread Size	5/8-18
Stud Profile	Standard Stud
Enclosure	Sealed
Rolling Element	Ball Bearing-Double Row
Relubricatable	Yes
Hex Socket	Yes
Inch - Metric	Inch
Other Features	End Plug   Black Oxide Coating   Rubber Lip Seals
Long Description	1-1/2" Roller Diameter; 1-3/16" Roller Width; Flat Roller Surface Profile; 5/8" Stud Diameter; 5/8-18 Thread Size; Standard Stud Stud Profile; Sealed Enclosure; Ball Bearing-Double Row;
Category	Cam Followers Stud Type



## NTN Bearing Driveshaft do Brasil

UNSPSC	31171530
Harmonized Tariff Code	8482.10.50.68
Noun	Bearing
Keyword String	Cam Follower
Manufacturer URL	<a href="http://www.emerson-ept.com">http://www.emerson-ept.com</a>
Manufacturer Item Number	PCF 1-1/2
Manufacturer Internal Number	2144700000
Weight / LBS	0.51
Roller Width	1.188 Inch   30.175 Millimeter
Stud Diameter	0.625 Inch   15.875 Millimeter
Roller Diameter	1.5 Inch   38.1 Millimeter