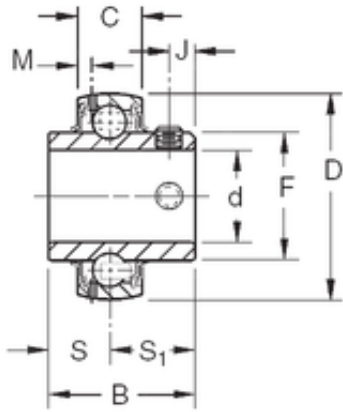




NTN Bearing Driveshaft do Brasil

68,2625 mm x 125 mm x 69,85 mm TIMKEN GY1211KRRB Insert Bearings Spherical OD

Bearing No. GY1211KRRB



GY1211KRRB Bearing 2D drawings and 3D CAD models

| | |
|-------------------------------|----------------------|
| Size | 68.2625x125x69.85 mm |
| Bore Diameter | 68,2625 mm |
| Outer Diameter | 125 mm |
| Width | 69,85 mm |
| d | 68,2625 mm |
| D | 125 mm |
| B | 69,85 mm |
| C | 28 mm |
| S1 | 42,84 mm |
| F | 86,92 mm |
| J | 12 mm |
| M | 5,08 mm |
| S | 26,97 mm |
| Thread (G) | M12X1,75 |
| Basic dynamic load rating (C) | 69,5 kN |