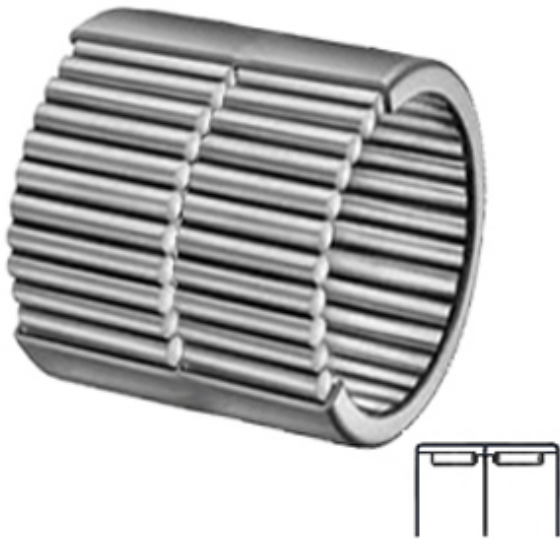




NTN Bearing Driveshaft do Brasil



GR 88 Bearing 2D drawings and 3D CAD models

5.5 Inch | 139.7 Millimeter x 7 Inch | 177.8 Millimeter x 3 Inch | 76.2 Millimeter MCGILL GR 88 Needle Non Thrust Roller Bearings

Bearing No. GR 88

Category	Needle Non Thrust Roller Bearings
Inventory	0.0
Manufacturer Name	REGAL BELOIT
Minimum Buy Quantity	N/A
Weight	4.659
EAN	0726166063580
Product Group	B04144
Rolling Element	Needle Roller Bearing
Component	Roller Assembly with Outer Ring - No Inner Ring
Enclosure	Open
Self Aligning	No
Retainer	No
Number of Rows of Rollers	Double Row
Separable	No
Closed End	No
Inch - Metric	Inch
Relubricatable	Yes
Thrust Bearing	No
Long Description	5-1/2" Bore; 7" Outside Diameter; 3" Width; Needle Roller Bearing; Roller Assembly with Outer Ring - No Inner Ring; Open Enclosure; No Self Aligning; No Retainer; Double Row



NTN Bearing Driveshaft do Brasil

	of Rollers;
Other Features	1 Rib Outer Ring Full Complement Heavy Duty Oil Hole
Category	Needle Non Thrust Roller Bearing
UNSPSC	31171512
Harmonized Tariff Code	8482.40.00.00
Noun	Bearing
Keyword String	Needle
Manufacturer URL	http://www.emerson-ept.com
Manufacturer Item Number	GR-88
Manufacturer Internal Number	5008800000
Weight / LBS	10.262
B	3 Inch 76.2 Millimeter
D	7 Inch 177.8 Millimeter
d	5.5 Inch 139.7 Millimeter