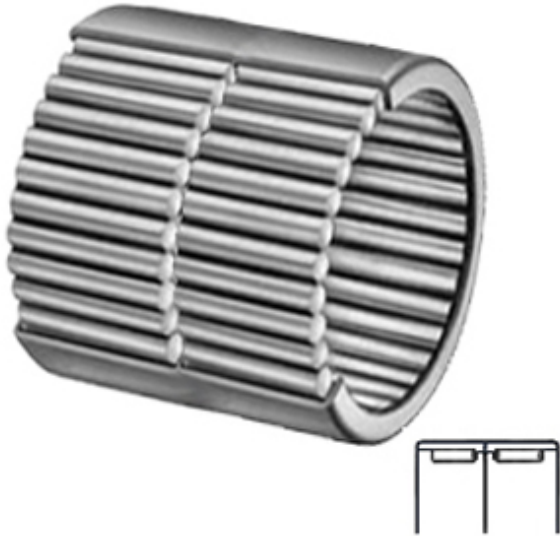




NTN Bearing Driveshaft do Brasil



6 Inch | 152.4 Millimeter x 7.5 Inch | 190.5 Millimeter x 3 Inch | 76.2 Millimeter MCGILL GR 96 Needle Non Thrust Roller Bearings

Bearing No. GR 96

GR 96 Bearing 2D drawings and 3D CAD models

Category	Needle Non Thrust Roller Bearings
Inventory	0.0
Manufacturer Name	REGAL BELOIT
Minimum Buy Quantity	N/A
Weight	5.003
EAN	0726166063627
Product Group	B04144
Rolling Element	Needle Roller Bearing
Component	Roller Assembly with Outer Ring - No Inner Ring
Enclosure	Open
Self Aligning	No
Retainer	No
Number of Rows of Rollers	Double Row
Separable	No
Closed End	No
Inch - Metric	Inch
Relubricatable	Yes
Thrust Bearing	No
Long Description	6" Bore; 7-1/2" Outside Diameter; 3" Width; Needle Roller Bearing; Roller Assembly with Outer Ring - No Inner Ring; Open Enclosure; No Self Aligning; No Retainer; Double Row



NTN Bearing Driveshaft do Brasil

	of Rollers;
Other Features	1 Rib Outer Ring Full Complement Heavy Duty Oil Hole
Category	Needle Non Thrust Roller Bearing
UNSPSC	31171512
Harmonized Tariff Code	8482.40.00.00
Noun	Bearing
Keyword String	Needle
Manufacturer URL	http://www.emerson-ept.com
Manufacturer Item Number	GR-96
Manufacturer Internal Number	5009600000
Weight / LBS	11.02
D	7.5 Inch 190.5 Millimeter
d	6 Inch 152.4 Millimeter
B	3 Inch 76.2 Millimeter